

6 5 4 3 2 1

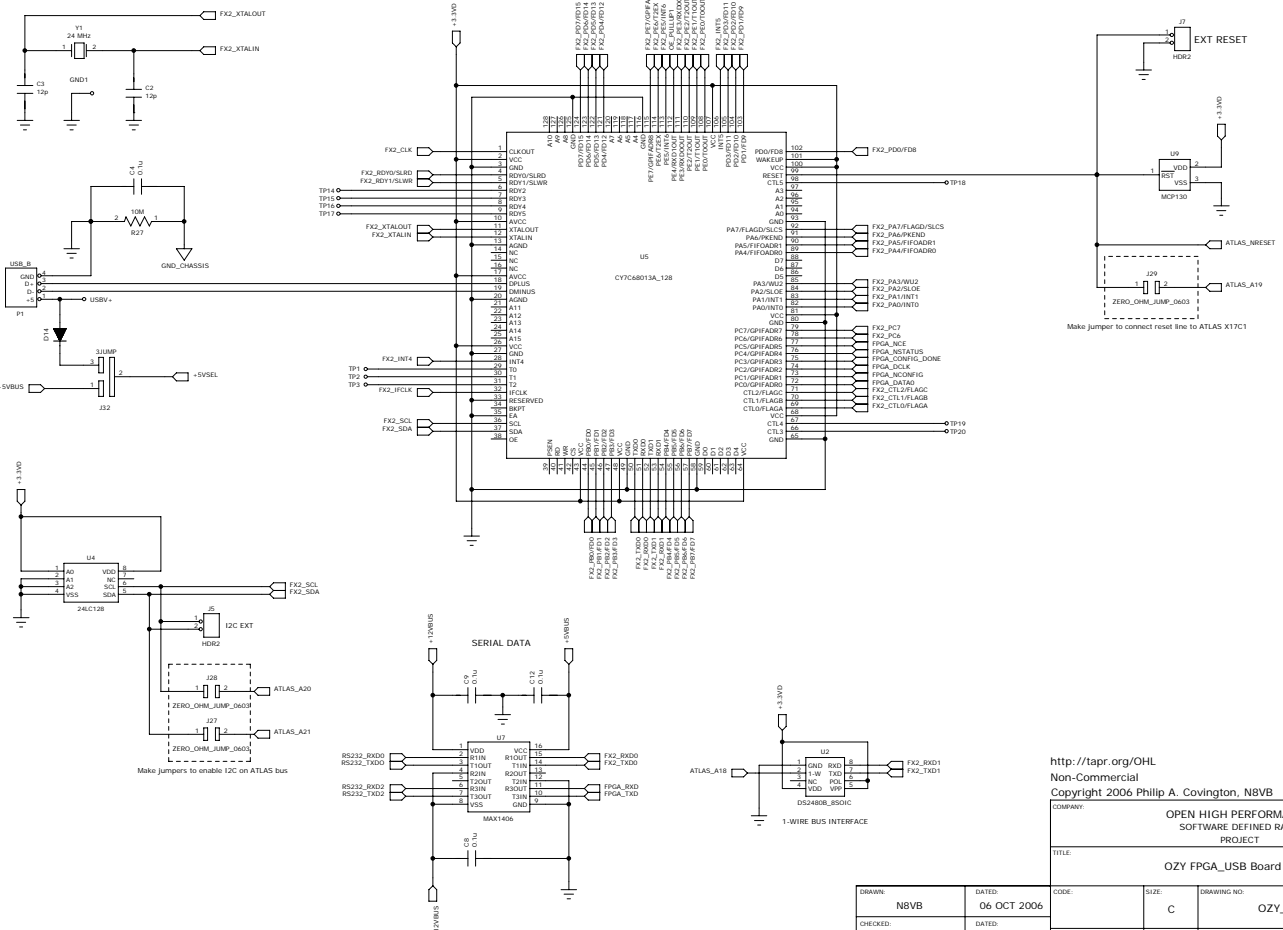
REVISION RECORD	

D D

C C

B B

A A

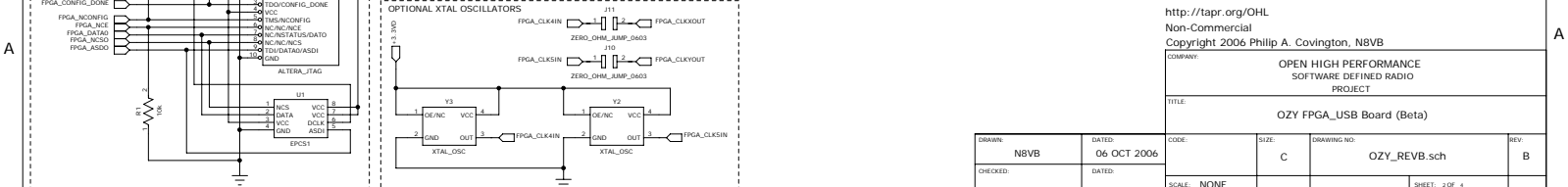
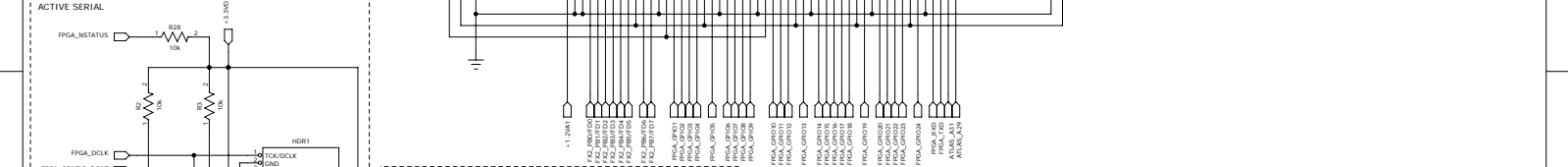
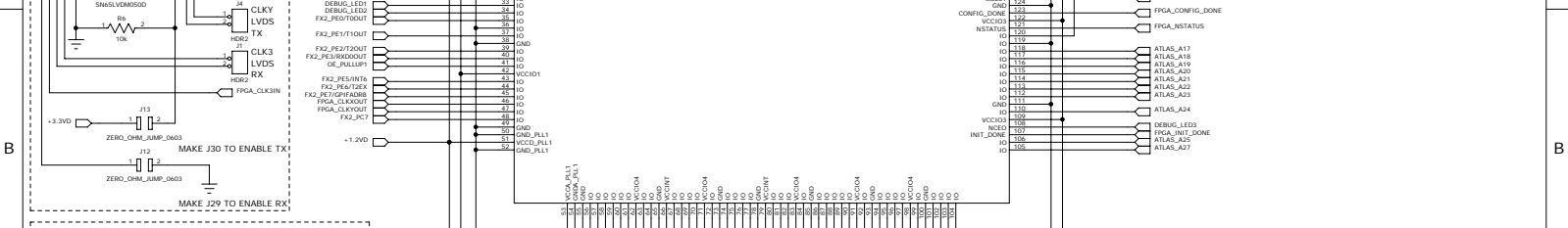
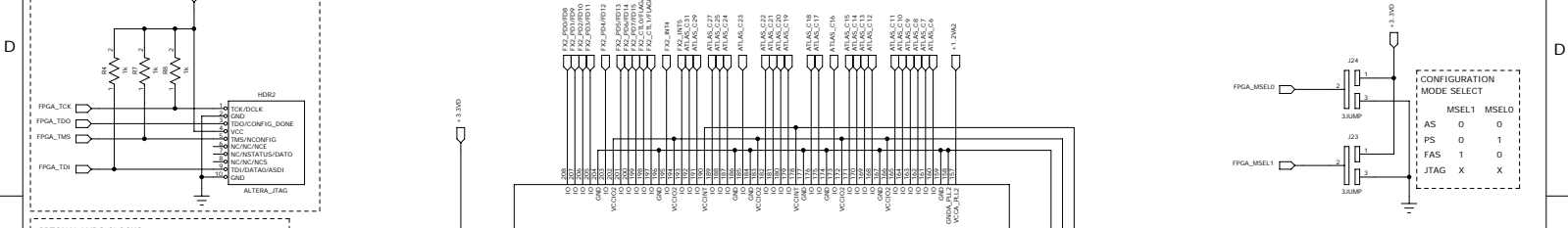
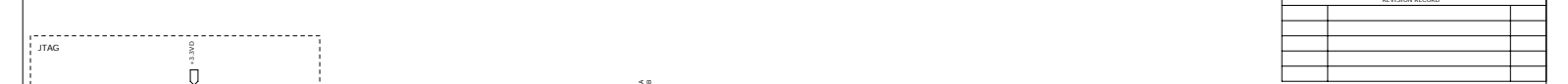


http://tapr.org/OHL
 Non-Commercial
 Copyright 2006 Philip A. Covington, N8VB

COMPANY:	OPEN HIGH PERFORMANCE SOFTWARE DEFINED RADIO PROJECT		
TITLE:	OZY FPGA_USB Board (Beta)		
DRAWN:	N8VB	DATED:	06 OCT 2006
CHECKED:		DATED:	
CODE:		SIZE:	C
DRAWING NO.:	OZY_REV.B.sch		
SCALE:	NONE	SHEET:	1 OF 4

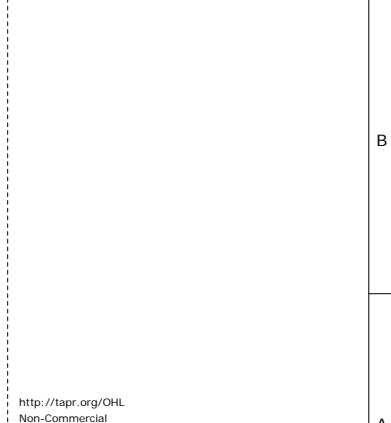
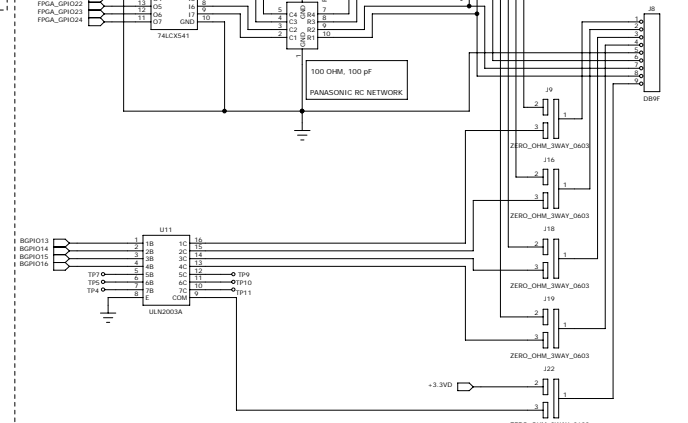
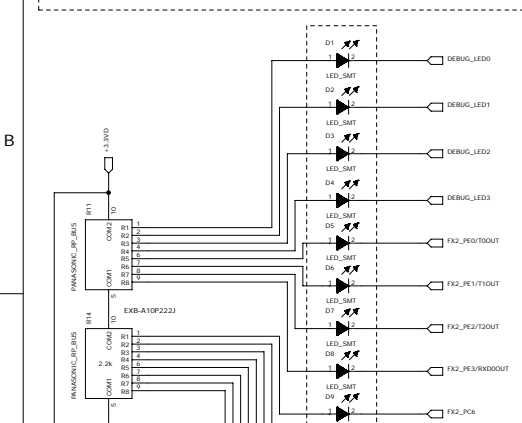
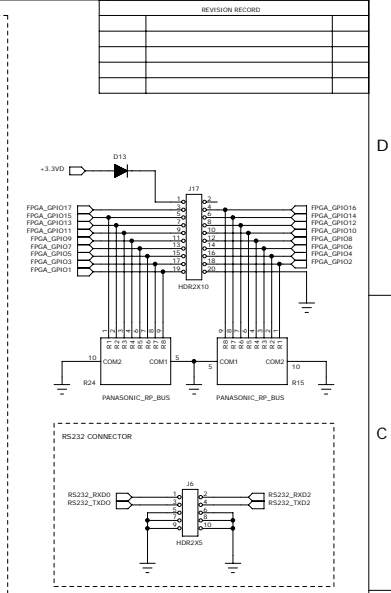
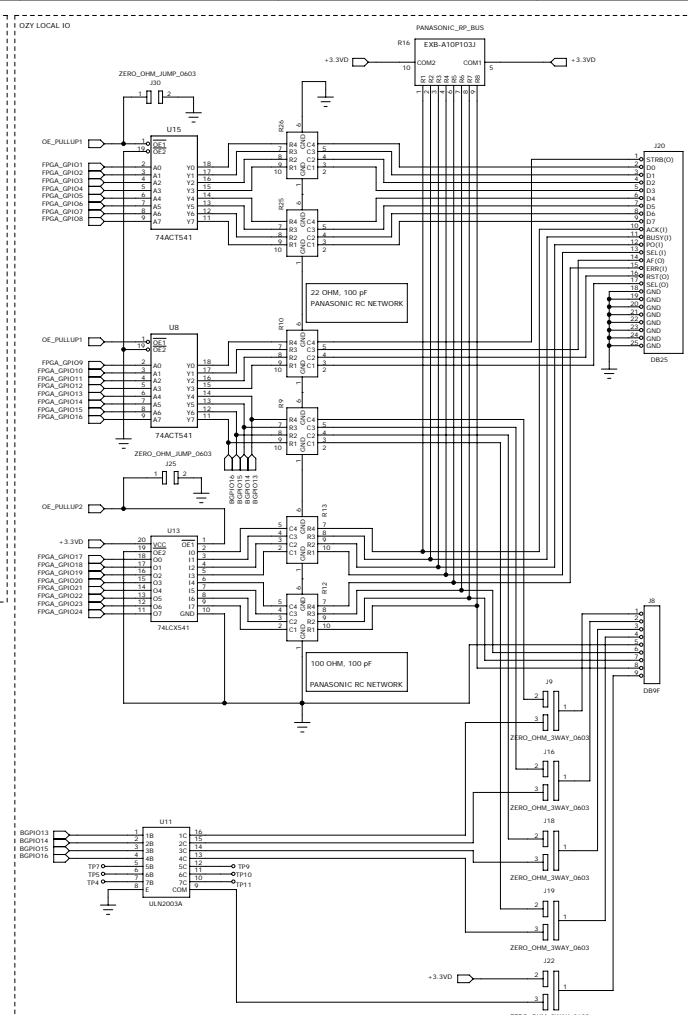
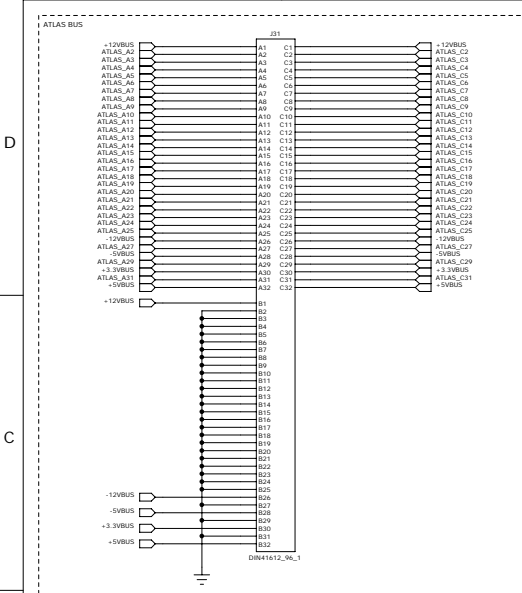
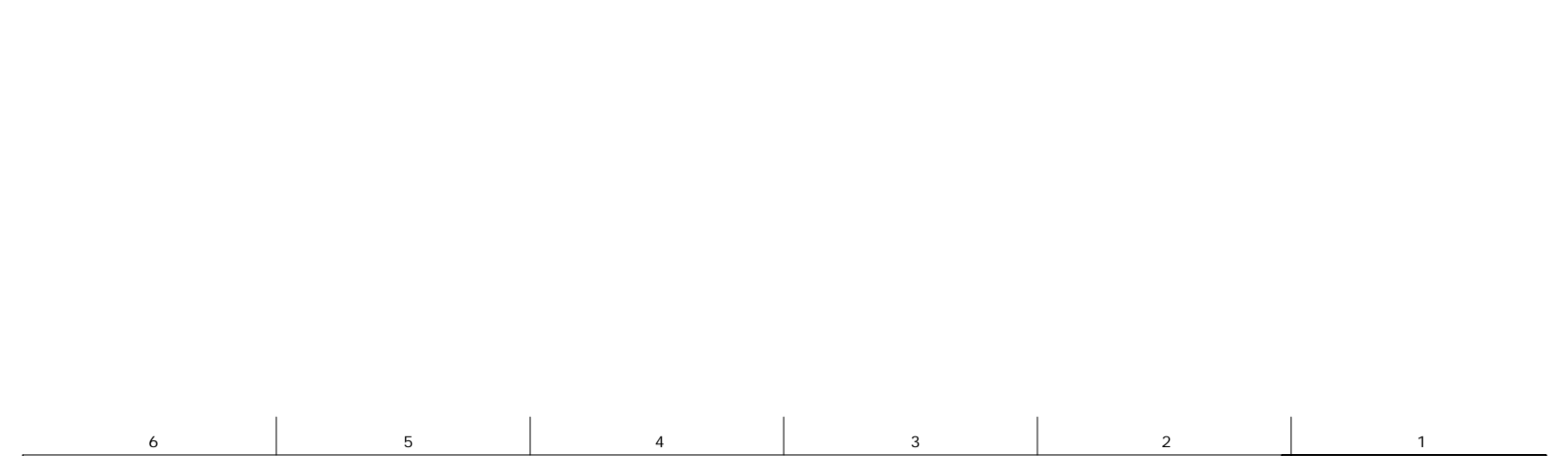


6 5 4 3 2 1



DRAWN: NBVB		DATED: 06 OCT 2006		CODE:	SIZE: C	DRAWING NO: OZY_REV3.sch	REV: B
CHECKED:		DATED:		SCALE: NONE	SHEET: 2 OF 4		

http://tapr.org/OHL
 Non-Commercial
 Copyright 2006 Philip A. Covington, NBVB
 COMPANY: OPEN HIGH PERFORMANCE SOFTWARE DEFINED RADIO PROJECT
 TITLE: OZY FPGA_USB Board (Beta)



<p>http://tapr.org/OHL Non-Commercial Copyright 2006 Philip A. Covington, N8VB</p>			
<p>COMPANY: OPEN HIGH PERFORMANCE SOFTWARE DEFINED RADIO PROJECT</p>			
<p>TITLE: OZY FPGA_USB Board (Beta)</p>			
DRAWN: N8VB	DATED: 06 OCT 2006	CODE: J19	SIZE: C
CHECKED:	DATED:	DRAWING NO: OZY_REV.B.sch	REV: B
SCALE: NONE		SHEET: 3 OF 4	

6

5

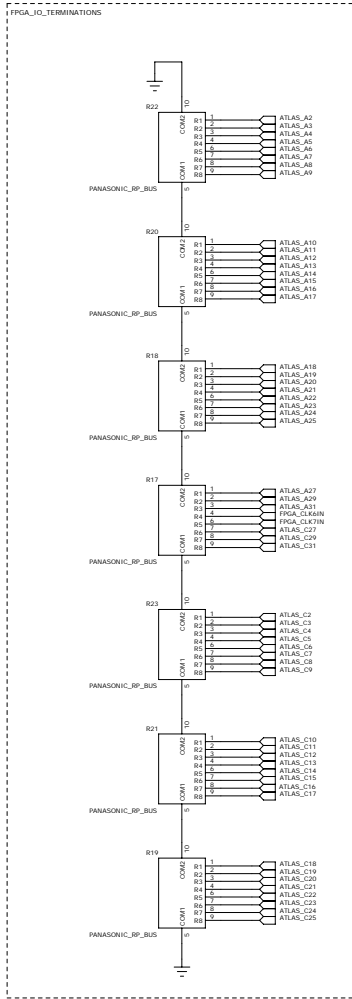
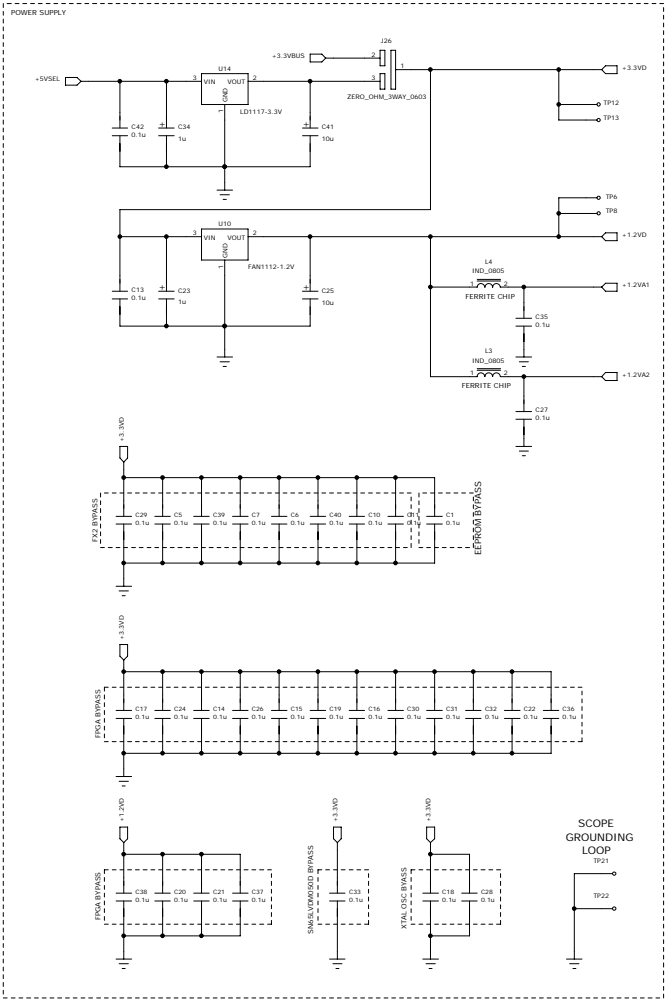
4

3

2

1

REVISION RECORD	



<http://tapr.org/OHL>
 Non-Commercial
 Copyright 2006 Philip A. Covington, N8VB

COMPANY: OPEN HIGH PERFORMANCE SOFTWARE DEFINED RADIO PROJECT

TITLE: OZY FPGA_USB Board (Beta)

DRAWN: N8VB	DATED: 06 OCT 2006	CODE:	SIZE: C	DRAWING NO: OZY_REVB.sch	REV: B
CHECKED:	DATED:	SCALE: NONE	SHEET: 4 OF 4		